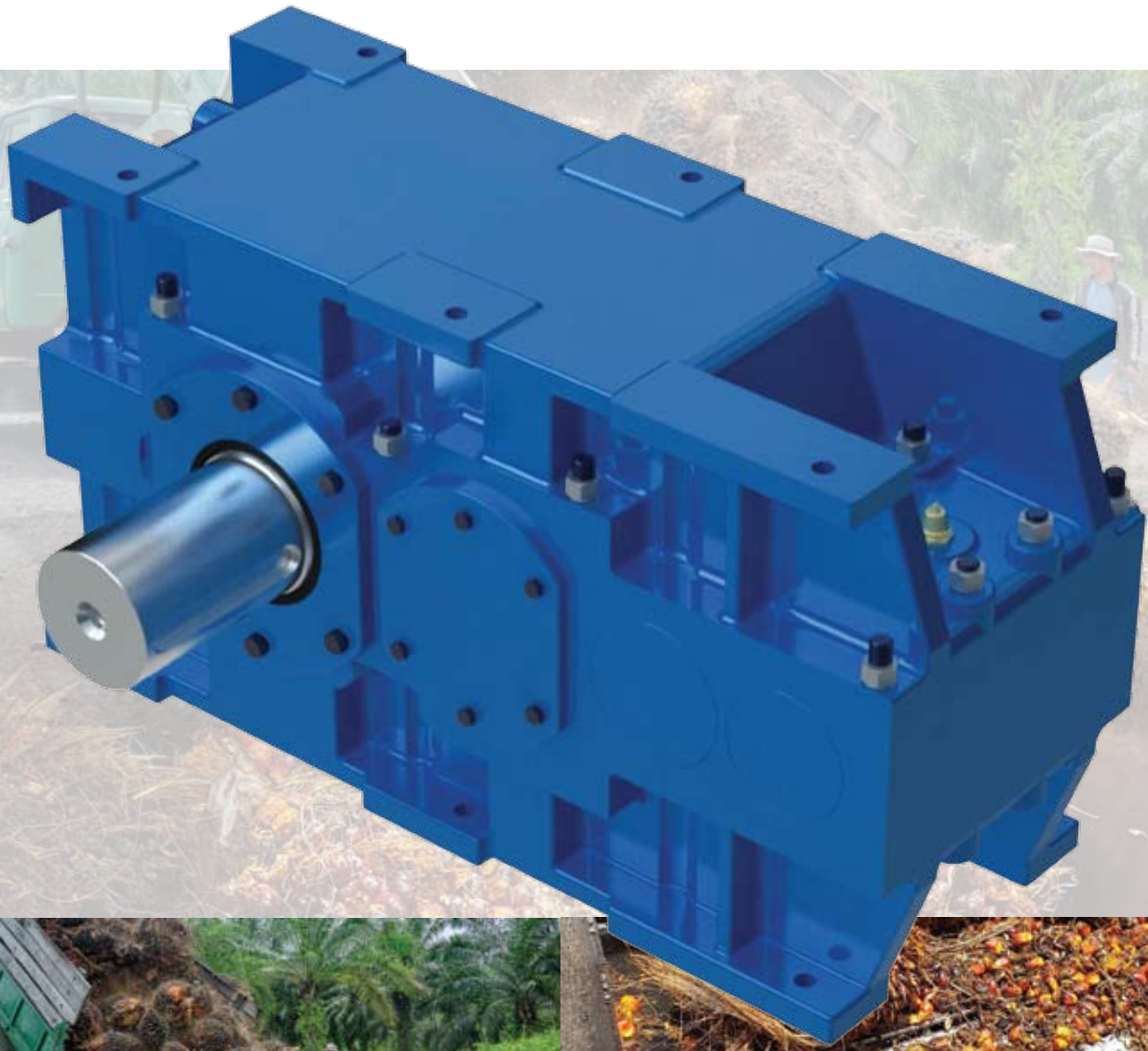


Renold POM Series Kernel Expellar & EFB Press Drive



RENOLD

A global power transmission group serving global markets through an international network.

For your local Renold sales and service location visit www.renold.com

For any other enquiries email tt.sales@renold.com

Superior Technology. Global Expertise.

- Interchangeable with other manufacturers
- Long life gives peace of mind
- Local availability from our local network
- Designed specifically for the application
- Competitively priced

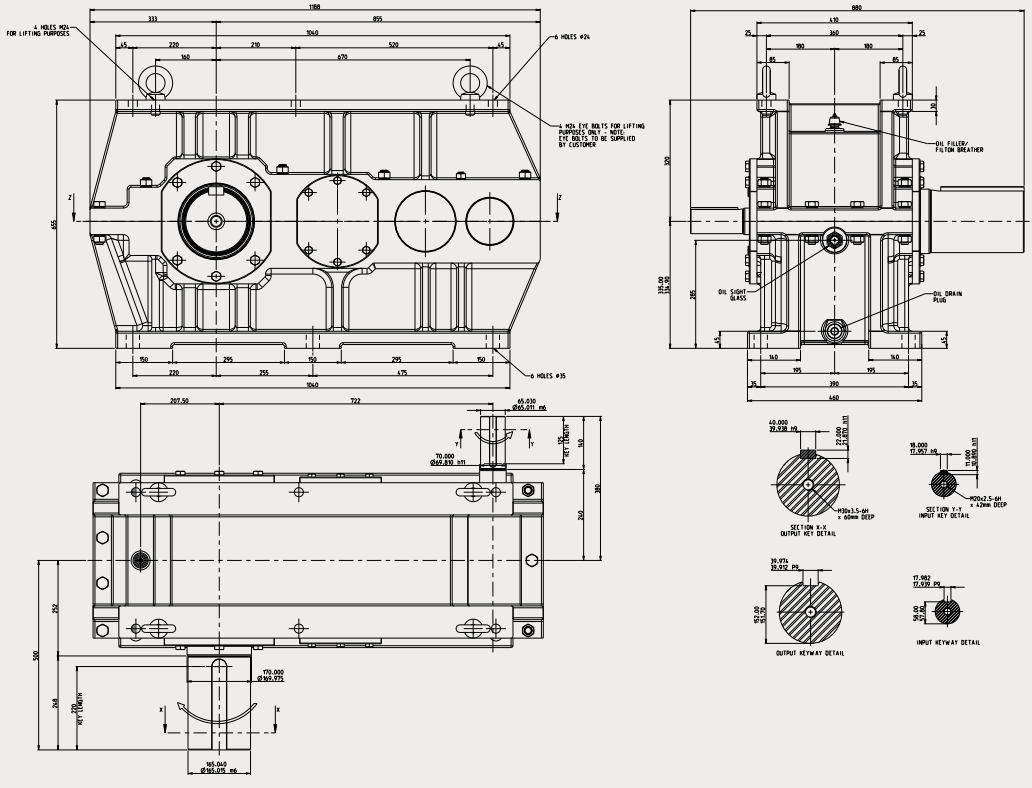
www.renold.com

malaysia@renold.com

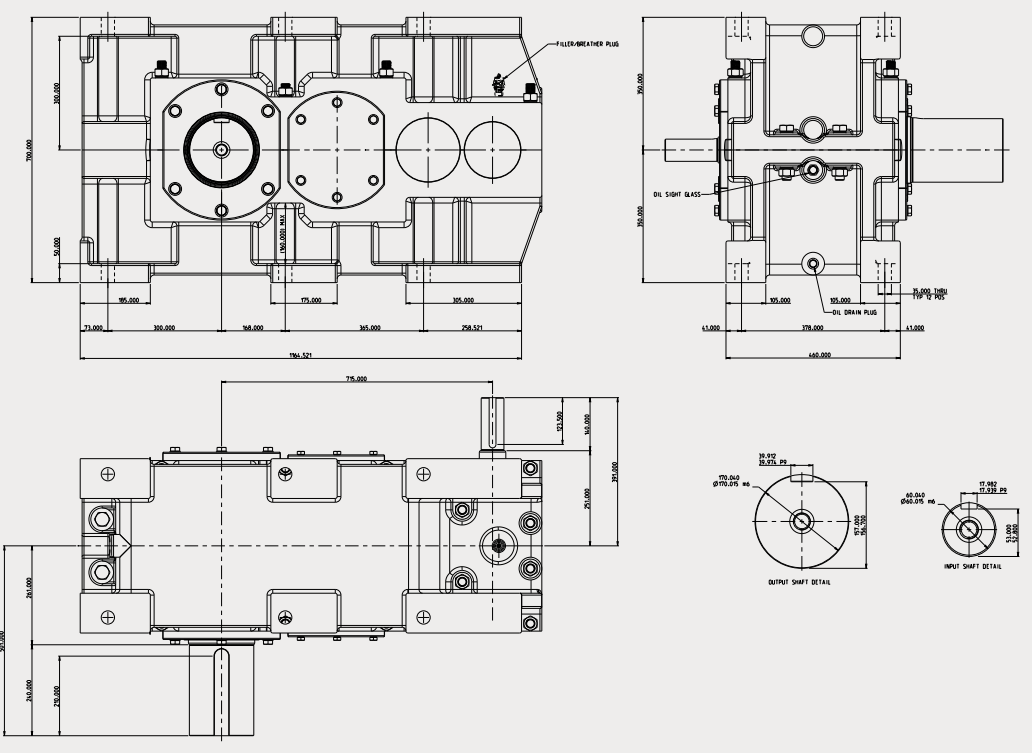
Specifications



100LRK495

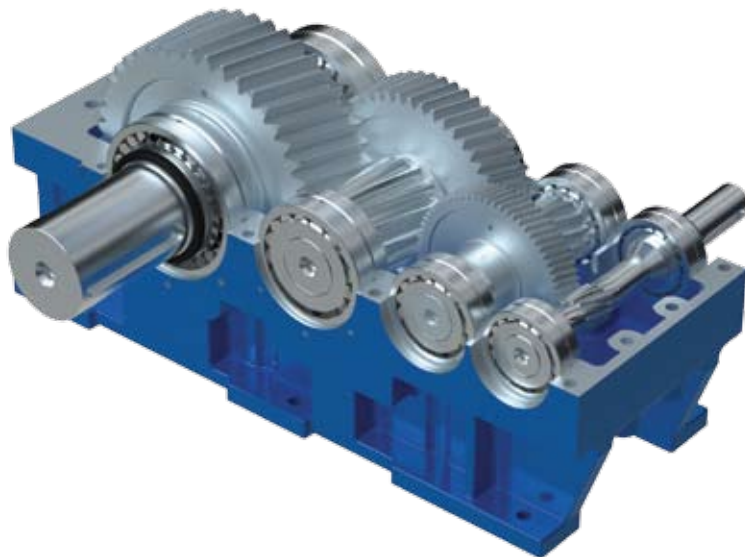


100LCB536



Specifications

- Close grain cast iron gear case
- Taper and spherical roller bearings
- Solid bearing covers
- Case hardened and profile ground helical gears
- High strength extension output shaft



Gear unit	100LRK495	100LCB536	100KRF437
Power rating	140 kW	140 kW	181 kW
Rated torque	74,000 Nm	74,000 Nm	91,300 Nm
Gear ratio (Nominal)	56:1	56:1	56:1
Rated speed	1000 rpm	1000 rpm	1000 rpm
Output speed	18 rpm	18 rpm	18 rpm
Input shaft radial load	16500 N	16500 N	18100 N
Output shaft radial load	140000 N	140000 N	195000 N
Weight	1015 kg	1015 kg	1664 kg
Shaft centre distance	722 mm	715 mm	828 mm
Output shaft diameter	165 mm	170 mm	180mm
Input shaft diameter	65 mm	60 mm	65 mm
Oil quantity	65 L	65 L	100 L